

UT775-2

Awaiting Image

Physical Specification

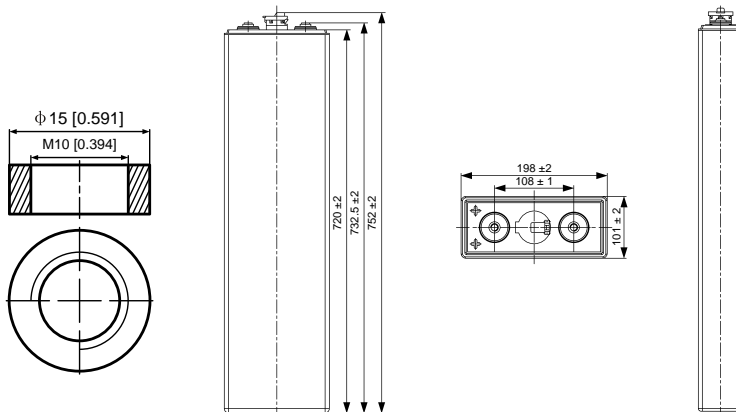
Part Number	UT775-2
Length	101 ± 2 mm
Width	198 ± 2 mm
Container Height	720 ± 2 mm
Total Height (with terminal)	750 ± 2 mm
Approx Weight without / with Electrolyte	29.3kg / 40.3kg

Specifications

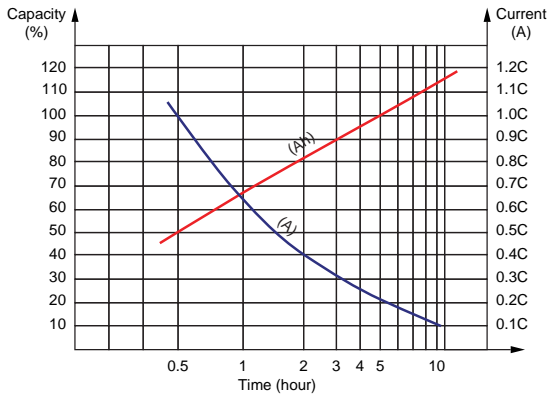
	Nominal Voltage	2V
	Nominal Capacity (5HR)	775.0AH
Terminal Type	Standard Terminal	M10 bolt
Container Material	Standard Option	PP
	(5 hr, 1.75V/cell, 30°C)	775.0A H/155.0A
	(0.5 hr, 1.50V/cell, 30°C)	387.5AH/775.0A
Max Discharge Current	-	
Discharge Characteristics	Operating Temp. Range	Discharge: -15 ~ 55°C Charge: 0 ~ 50°C Storage: 5 ~ 40°C
	Cycle Use	Initial Charging Current less than 108.5A. Voltage 2.40V ~ 2.50V Temp. Coefficient -5mV/°C
	Cycle Life	>= 1200 cycles
	Capacity affected by Temperature	40°C 103% 25°C 100% 0°C 86%
Self Discharge	Ultracell UZS batteries may be stored for up to 6 months at 25°C and then a refresh charge is required. For higher temperatures the time interval will be shorter.	

Dimensions

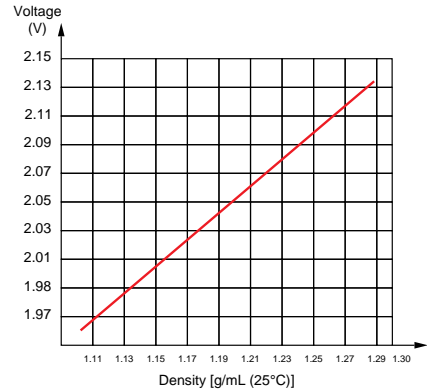
Terminal



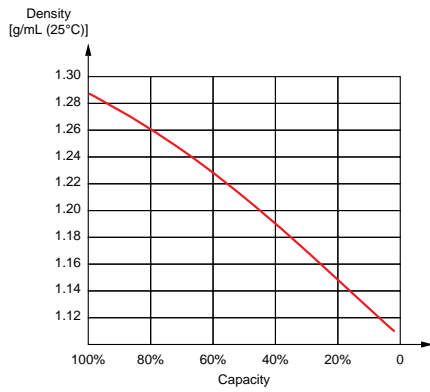
Discharge Characteristics



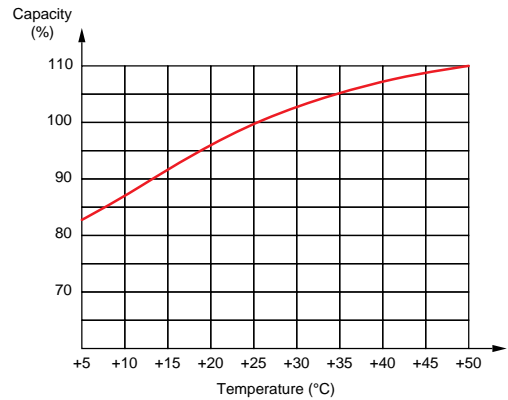
Density Effects in Relation to Voltage



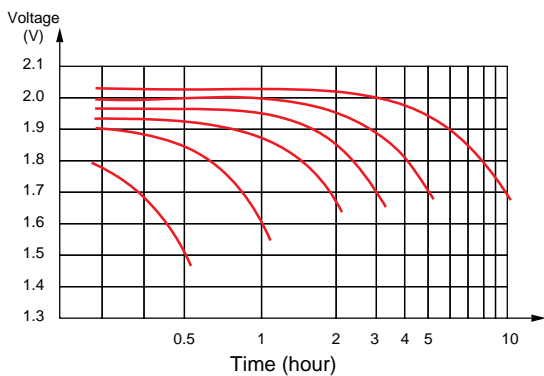
Density Effects in Relation to Capacity



Temperature Effects in Relation to Battery Capacity



Discharge Characteristics



Cycle Life in Relation to Depth of Discharge

