

USS50-12

12V 50AH

Stop and Start

Ultracell®

'Quality in Every Language'

USS50-12

Awaiting Image

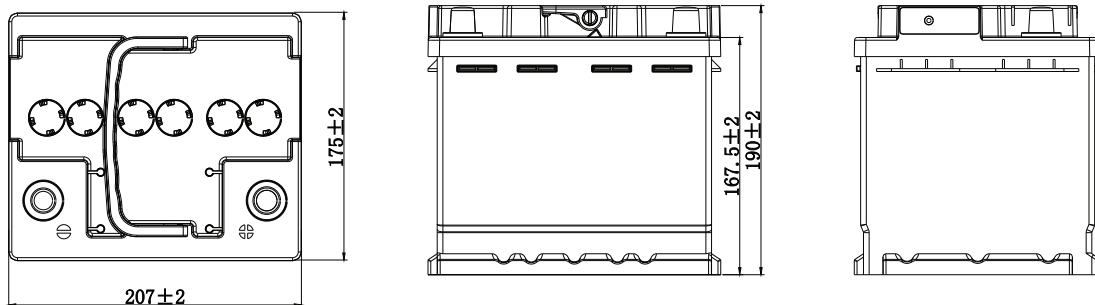
Physical Specification

Part Number	USS50-12
Length	207 ± 2 mm
Width	175 ± 2 mm
Container Height	190 ± 2 mm
Total Height (with terminal)	190 ± 2 mm
Approx Weight	15.5 kg

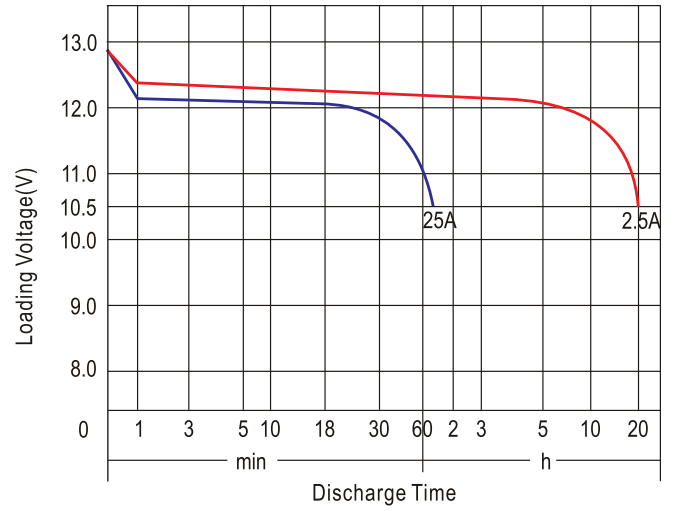
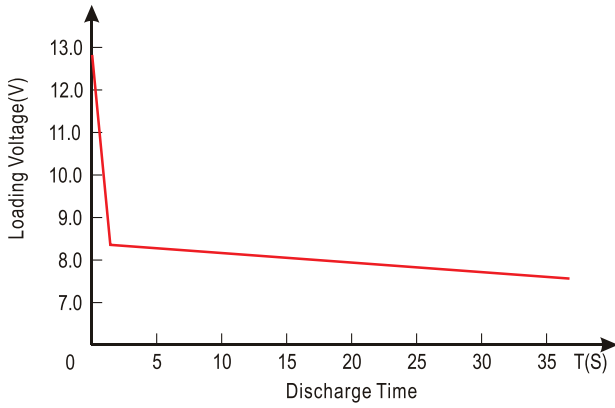
Specifications

	Nominal Voltage	12V
	Nominal Capacity (20HR)	50AH
Terminal Type	Standard Terminal Optional Terminal	T2 -
Container Material	Standard Option	Black-PP
Rated Capacity	20 Hours	50Ah / 2.5A
	Acid	1.30 ± 0.015g/cm ³ (25°C)
	Cell Layout	B
	Hold-Down	B3/B4
Cold Cranking Performance	0°F (-18°C)	570A
Design Life	6 Years	

Dimensions (mm)



Discharge Characteristics (-18°C, 0°F)



Discharge Characteristics (-18°C, 0°F)

L1 (CCA-SAE)
(CCA-SAE) Capacity Test (@-18) with I=570A
Spec $U_{10} \geq 7.5V$ $U_{30s} \geq 7.2V$

