

# 5PzS625H

2V 625AH

Traction

# Ultracell®

'Quality in Every Language'

## 5PzS625H

Awaiting Image

## Physical Specification

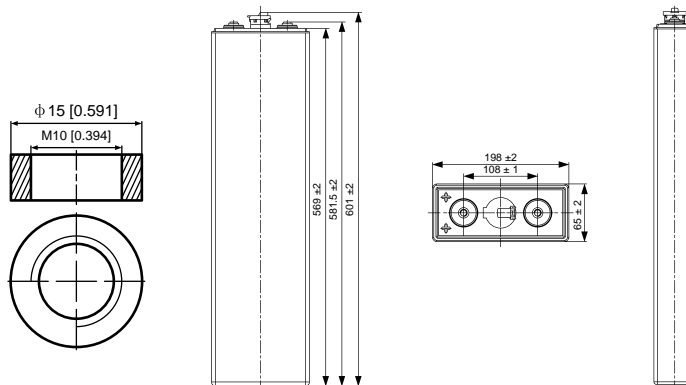
Part Number	<b>5PzS625H</b>
Length	<b>101 ± 2 mm</b>
Width	<b>198 ± 2 mm</b>
Container Height	<b>574 ± 2 mm</b>
Total Height (with terminal)	<b>606 ± 2 mm</b>
Approx Weight without / with Electrolyte	<b>23.9kg / 32.8kg</b>

## Specifications

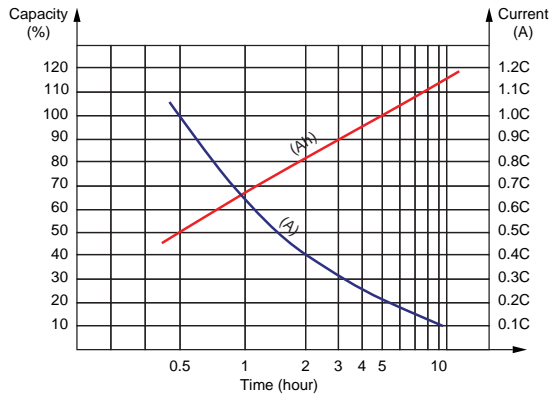
	Nominal Voltage	2V
	Nominal Capacity (5HR)	625.0AH
<b>Terminal Type</b>	Standard Terminal	M10
<b>Container Material</b>	Standard Option	PP
	(5 hr, 1.70V/cell, 30°C)	625.0 AH/125.0 A
	(0.5 hr, 1.50V/cell, 30°C)	312.5 AH/625.0 A
<b>Max Discharge Current</b>	5000A (5s)	
<b>Discharge Characteristics</b>	Operating Temp. Range	Discharge: -15 ~ 55°C Charge: 0 ~ 50°C Storage: 5 ~ 40°C
	Cycle Use	Initial Charging Current less than 87.5A. Voltage 2.40 ~ 2.50 Temp. Coefficient -5mV/°C
	Cycle Life	>= 1200 cycles
	Capacity affected by Temperature	40°C 103% 25°C 100% 0°C 86%
<b>Self Discharge</b>	Ultracell UZS batteries may be stored for up to 6 months at 25°C and then a refresh charge is required. For higher temperatures the time interval will be shorter.	

## Dimensions

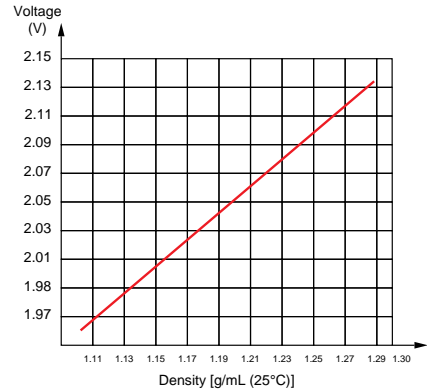
### Terminal



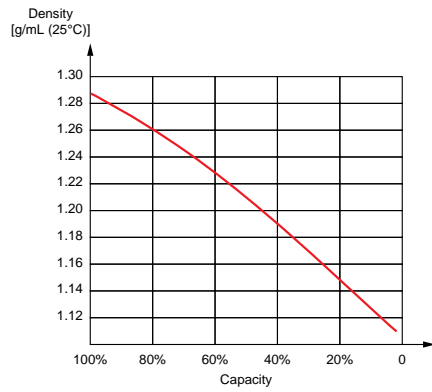
### Discharge Characteristics



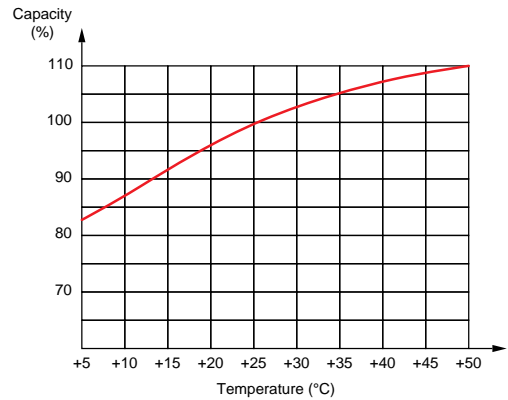
### Density Effects in Relation to Voltage



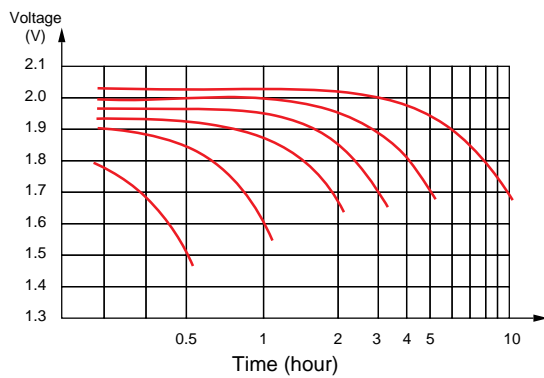
### Density Effects in Relation to Capacity



### Temperature Effects in Relation to Battery Capacity



### Discharge Characteristics



### Cycle Life in Relation to Depth of Discharge

